



INSTALLATION GUIDE ADIM/150W/GRID

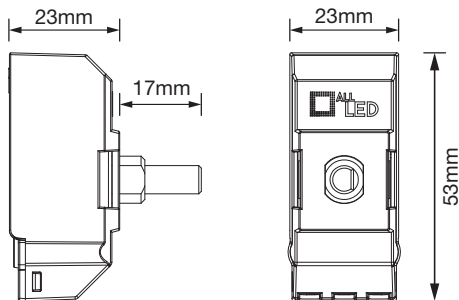
⚠ ENSURE POWER SUPPLY IS OFF WHEN HANDLING ANY ELECTRICAL EQUIPMENT.

- This product may need to be installed by a qualified electrical installer.
- Please read this guide in its entirety to fully understand the products before attempting any install.
- All electrical work should be completed in accordance with the latest IET regulations, and/or any other relevant rules, regulations or laws of the country in which it is being installed.
- The item must be installed in isolation from any insulating material and be adequately ventilated to prevent premature failure.
- Ensure power supply is isolated prior to installation, maintenance or performing any other form of electrical work.
- In the event of incorrect or improper function with specific regard to any of ALL LED's products contact ALL LED for further advice.

Technical Specifications

Product Code	ADIM/150W/GRID
Operating Voltage	220-240V AC
Operating Current (A Max)	0.7A
Max Output Power	5W - 150W LED
Power Factor	≥0.83
No Load Power (W)	0W
Class	II
Body Material	Polycarbonate
Ingress Protection	IP20
Ambient Operating Temperature (°C)	-10°C~40°C
Input Frequency (Hz)	50Hz
Guarantee	2 Years
Dimming Mode (Trailing or Leading)	Fully Programmable - Leading Edge And Trailing Edge (2 Modes)

Dimensions



Instructions

Setting & Resetting Minimum Brightness

To adjust the minimum brightness, reset brightness first.

1. Reset Minimum Brightness

- Press dimmer knob once to turn the circuit on
- Rotate the dimmer knob anti-clockwise (left) until the knob stops (this is minimum dimmer output)
- Press the knob 8x (4x Power Cycles) OFF>ON>OFF>ON>OFF>ON>OFF>ON
If successful, the lights will pulse

2. Set Minimum Brightness

- With the dimmer "on" rotate the dimmer knob to the new desired minimum brightness to program.
Clockwise (right) to increase brightness, anti-clockwise (left) to decrease brightness
- Press the knob 4x (2x Power Cycles) OFF>ON>OFF>ON
If successful, the lights will pulse
- To confirm successful programming of the updated minimum brightness setting, rotate dimmer knob clockwise (right) until it stops (maximum brightness) and then rotate dimmer knob anti-clockwise (left) until it stops (new minimum brightness).
Repeat steps if unsuccessful or see troubleshooting guide

Changing The Drive Mode

The default setting on this unit is Trailing Edge.

To change the drive mode, please follow instructions below.

- Press dimmer knob to turn the dimmer on
- Rotate dimmer knob to the maximum brightness (turn clockwise (right) until it stops).
- Push the dimmer knob 10 times (5 x power cycles) to save your setting.
>OFF>ON>OFF>ON>OFF>ON>OFF>ON>OFF>ON.
If successful, the lights will pulse **Once** (Trailing Edge) or **Twice** (Leading Edge).

Troubleshooting Guide

PROBLEM	CAUSE(S)	SOLUTION(S)
No change of setting	Speed of button pressing	Button presses must be done in a slow methodical rhythm
Minimum brightness setting not changing	Order of settings	Reset minimum brightness must be done before setting a new minimum brightness
Lights flicker at high/low brightness levels	Wrong driving mode	Program dimmer to alternative driving mode
No light output from LEDs	No power to drive components	A qualified installer/electrician should check the primary voltage side of the product to check the input voltage.
	Loose connection on circuit	Ensure continuous and correct connection between terminals
	Over voltage may have caused damage to the sensitive components	These cases are rare and the item may need replacement and/or investigation as to the cause of failure
Reduced maximum brightness	Overloaded circuit	Reduce load - reduce amount of lamps - replace lamps with lower wattage
LEDs flashing	Incorrect voltage range being used	Please ensure there is a regulated AC voltage supply within the parameters of the luminaire. Failure to do so will void the warranty
	Loose connection on circuit	Ensure continuous and correct connection between the terminals

Wiring Diagrams

Diagram 1: Using a 1 or 2 way dimmer switch

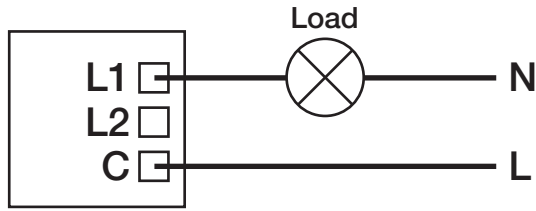


Diagram 2: Using a 2 way dimmer switch
Dimmer must replace only one of the 2 way switches

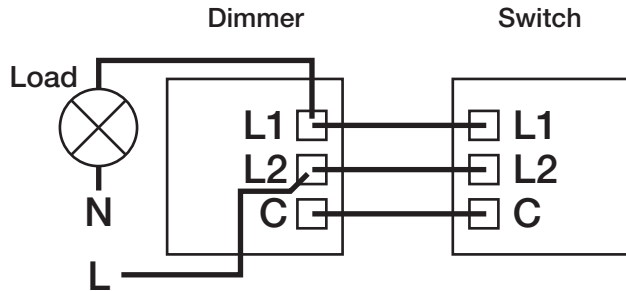
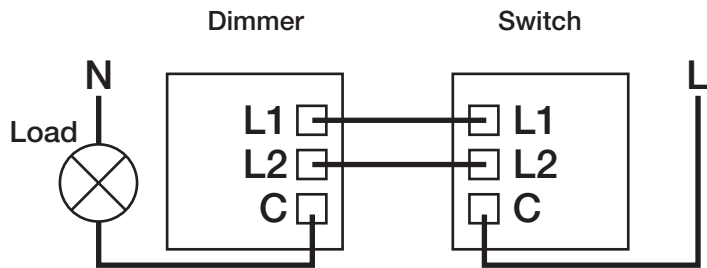


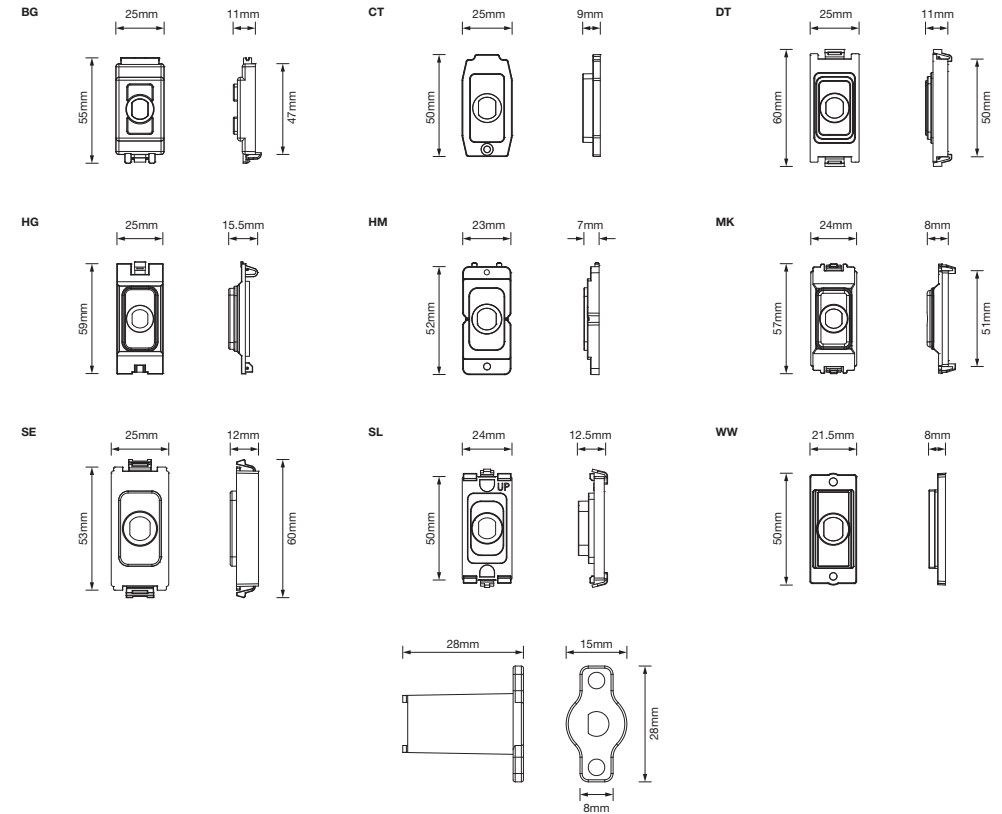
Diagram 3: Using a 2 way dimmer switch
Dimmer must replace only one of the 2 way switches



Returns & Faulty Items

- If any problem is encountered during or after installation, please call the All LED technical department to get the problem resolved as soon as possible.
- Please do not just return the item to the outlet you purchased it from, as you are only entitled to a replacement or refund after the unit has undergone testing and the unit has been confirmed as having a manufacturing defect/fault. Your statutory rights are not affected.
- The manufacturer will not be deemed liable or held responsible for any damages caused by faults or manufacturing defects that may be present in any of its products or the misuse or incorrect installation of this device. Please refer to our troubleshooting guide for further information.
- All goods are supplied under the terms and conditions of All LED LTD, a copy of which may be obtained upon written request.

Dimensions



Environmental Protection
Waste electrical products should not be disposed of with household waste. Please recycle where facilities exist. Check with your Local Authority or retailer for recycling advice



The manufacturer will not be deemed liable or held responsible for any damages caused by faults or manufacturing defects that may be present in any of its products or the misuse or incorrect installation of this device
Your statutory rights are not affected.



ALL LED LTD
42 Sedgwick Road,
Luton, LU4 9DT

www.allledgroup.com
sales@allledgroup.com
Tel: +44 (0)208 841 9000

